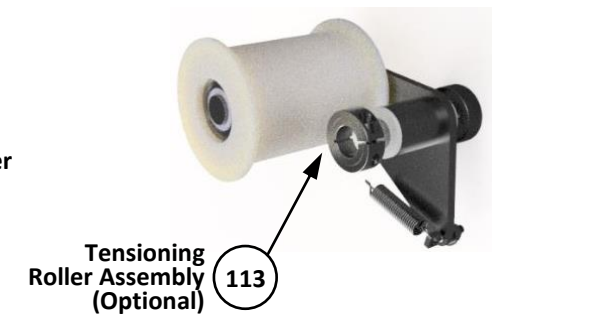


Item/ Part # in Manual	Item Description
100	Motor Assembly
100-1	Motor/Gearmotor
100-2	Reducer
100-3	Torque Arm
100-4	Motor Bracket
100-5	Timing Belt Guard
100-6	Timing Belt
100-7	Sprocket, Motor Shaft
100-8	Sprocket, Drive Shaft
101	Strip Belt with Bottom Bead, Laced
101-1	Belt
101-2	Lacing
101-3	Pin
102	Slider Bed with Guide Grooves
103	Transfer Plate
104	Short Sideguard
105	Long Sideguard
106	Infeed End Guard
107	Discharge End Guard
108	End Roller Assembly
108-1	End Roller
108-2	End Roller Shaft
108-3	Bearing, Sealed
108-4	Snap Ring
110	Bearing Assembly
110-1	3-Bolt Bearing
110-2	Bearing Cover
111	Drive Roller Assembly
111-1	Drive Roller with Lagging and Grooves
111-2	Drive Shaft
111-3	Set Screw
112	Exit Roller, Vertical (Optional)
113	Tensioning Roller Assembly (Optional)



© FLOW-TURN Inc. subject to modification

Flow-Turn FM Parts Rev02B