



The Next Generation of Turns

# SLB Conveyor Loose Belt Technology

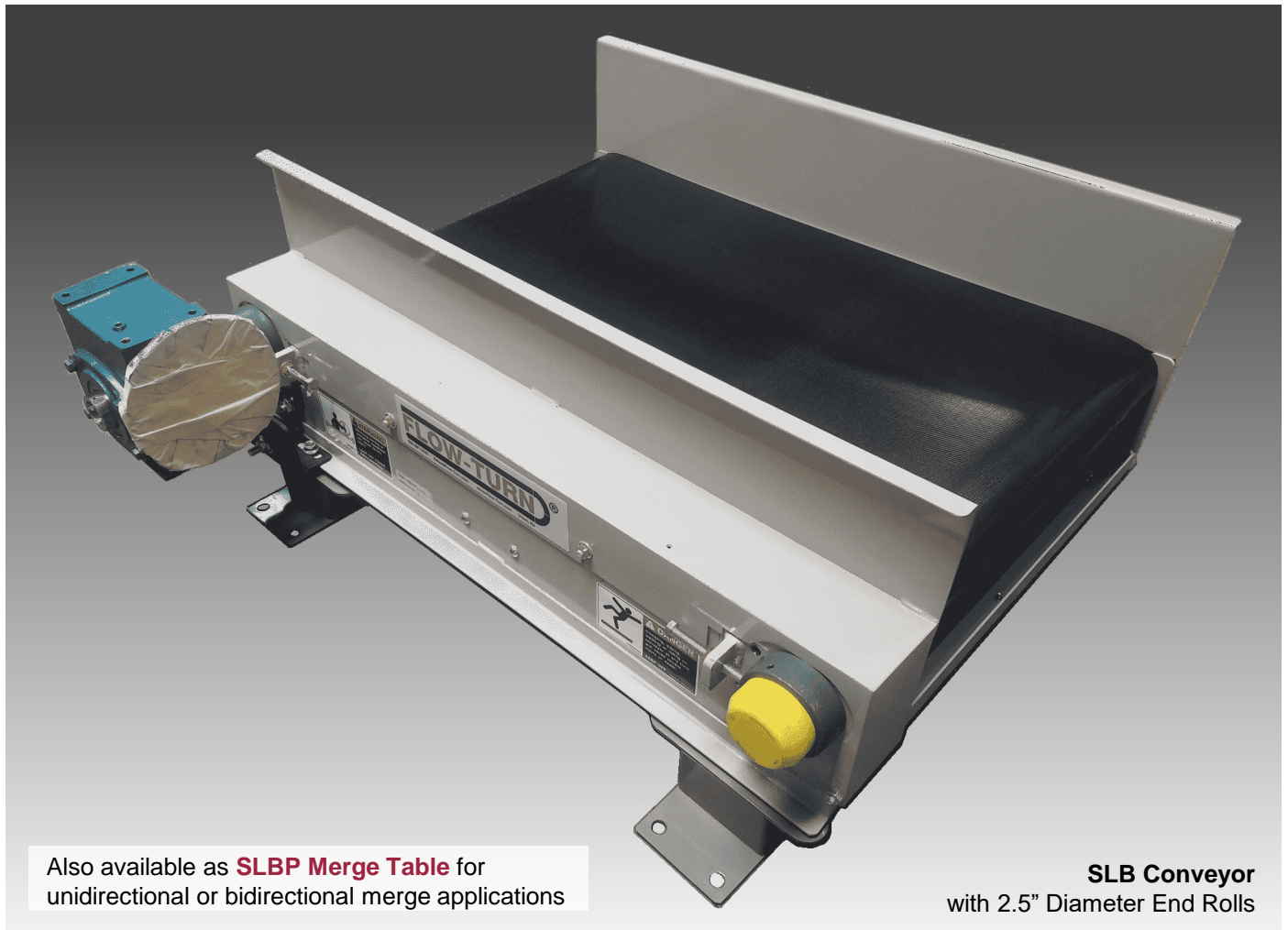
FLOW-TURN's SLB straight belt conveyors use the proven positive chain drive principle known from chain-driven belt curves. This "Loose Belt" design principle avoids belt tracking problems commonly experienced when a short wide conveyor belt is used.

The SLB conveyor design also eliminates side load belt tracking problems encountered on regular belt conveyors. Unlike most other straight conveyors, the SLB conveyor does not use the end roll to drive its conveyor belt. The belt is pulled along by its outside edge by the belt drive chain. A special chain attachment link connects the belt drive chain to a series of grommets holes along the edge of the belt. The chain runs in a track along the side of conveyor and holds and guides the belt in the correct position while moving forward.

FLOW-TURN's SLB conveyors feature an all-steel conveyor frame design and are a great choice for indexing and product queuing applications.

## SLB Conveyor Applications

- Product Indexing and Queuing
- Packaging
- Airport Baggage Handling
- Industrial & Manufacturing
- Food Production & Processing



Also available as **SLBP Merge Table** for unidirectional or bidirectional merge applications

**SLB Conveyor**  
with 2.5" Diameter End Rolls

SLB Conveyor Rev04

© FLOW-TURN Inc. 2022, subject to modification

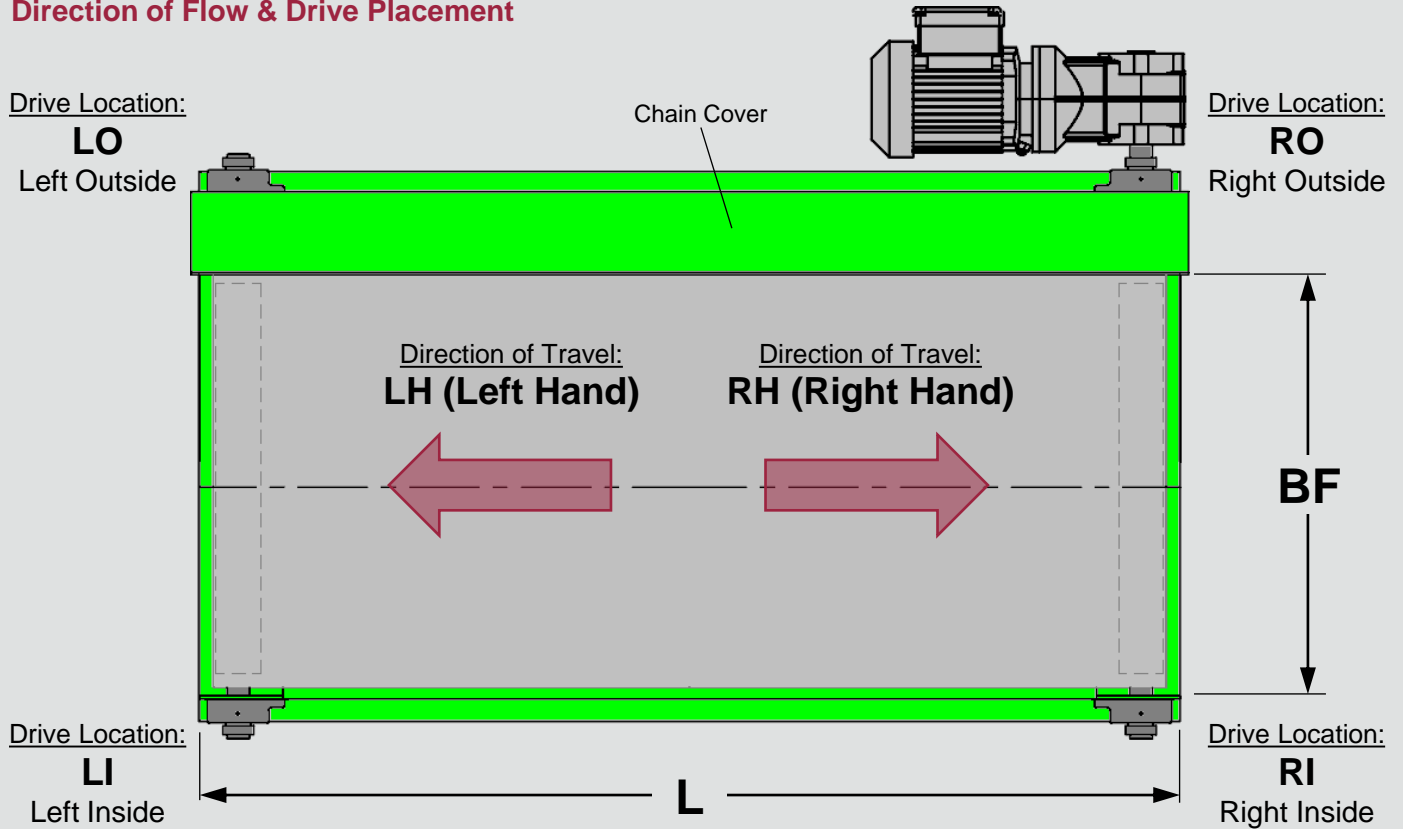


1050 Commerce Avenue, Union, NJ 07083

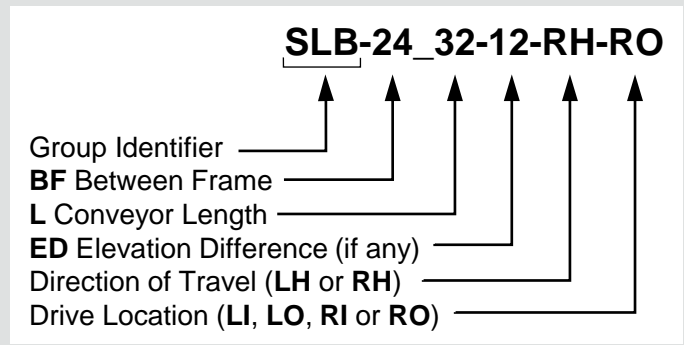
Phone: (908) 687 – 3225  
Fax: (908) 687 – 1715  
Email: [sales@flow-turn.com](mailto:sales@flow-turn.com)  
[www.flow-turn.com](http://www.flow-turn.com)

*Custom design is a FLOW-TURN specialty.  
We manufacture to rigid specifications and provide answers to unusual requirements.*

### Direction of Flow & Drive Placement



### Flow-Turn Model Code



Straight conveyors are available in dimensions matching FLOW-TURN's curves and spirals. Please inquire if your project requires other sizes or has special requirements.

### Drive Mounting Options

- Horizontal (Shaft-Mount, shown above)
- Vertical (Shaft-Mount)
- Underslung (w/Timing Belt)
- Drum Motor (Integrated)
- Slaved (from adjacent conveyor)



Chain Attachment and Sprocket Detail (Chain Cover Removed)

© FLOW-TURN Inc. 2022, subject to modification

SLB Conveyor Rev04