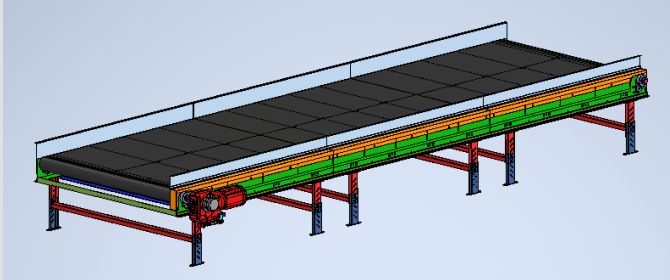
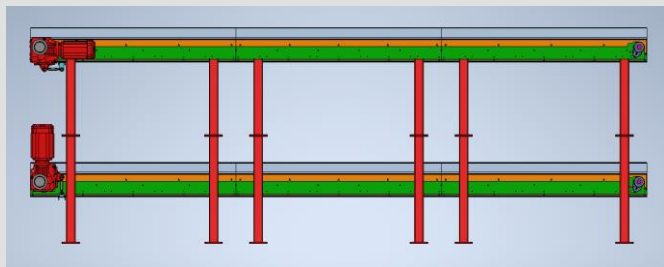
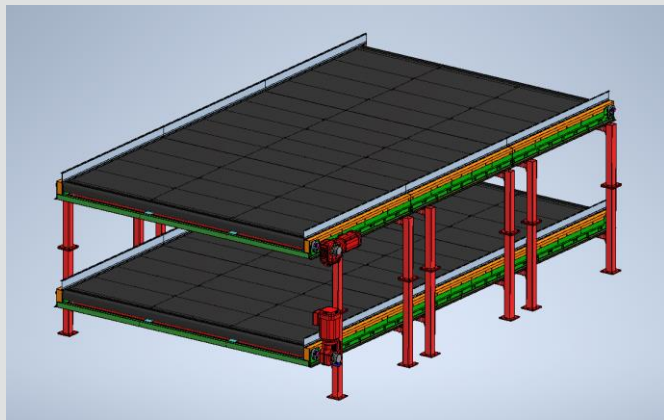


SLBP1 Merge Table for Unidirectional Merge Operation



SLBP2 Merge Table for Bidirectional Merge Operation

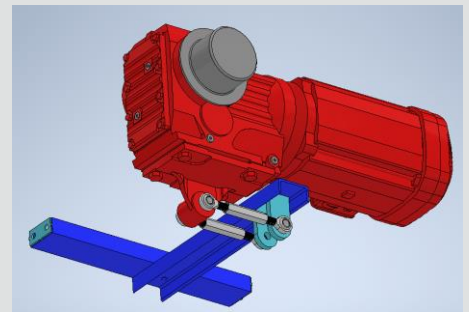


Shown are two (2) stacked SLBP2 Merge Tables

SLBP Design Features

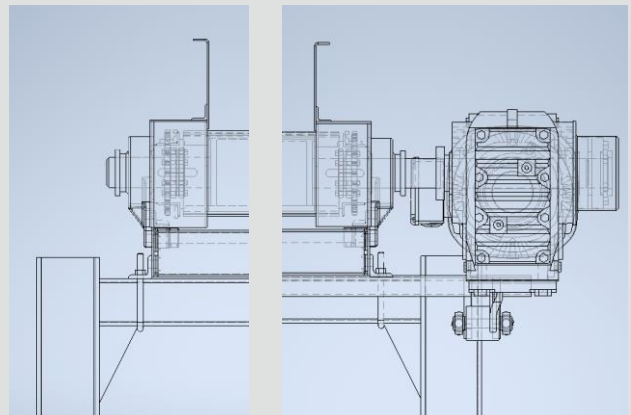
- Proven SLB Loose Belt Technology
- Chain attached to the belt on either one side (SLBP1) or both sides (SLBP2), allowing single or double chain drive for unidirectional or bidirectional merge operation
- Reinforced Framework, built in sections
- Heavy-duty Support Structure
- Configurable with many options

Drive Arrangement Options



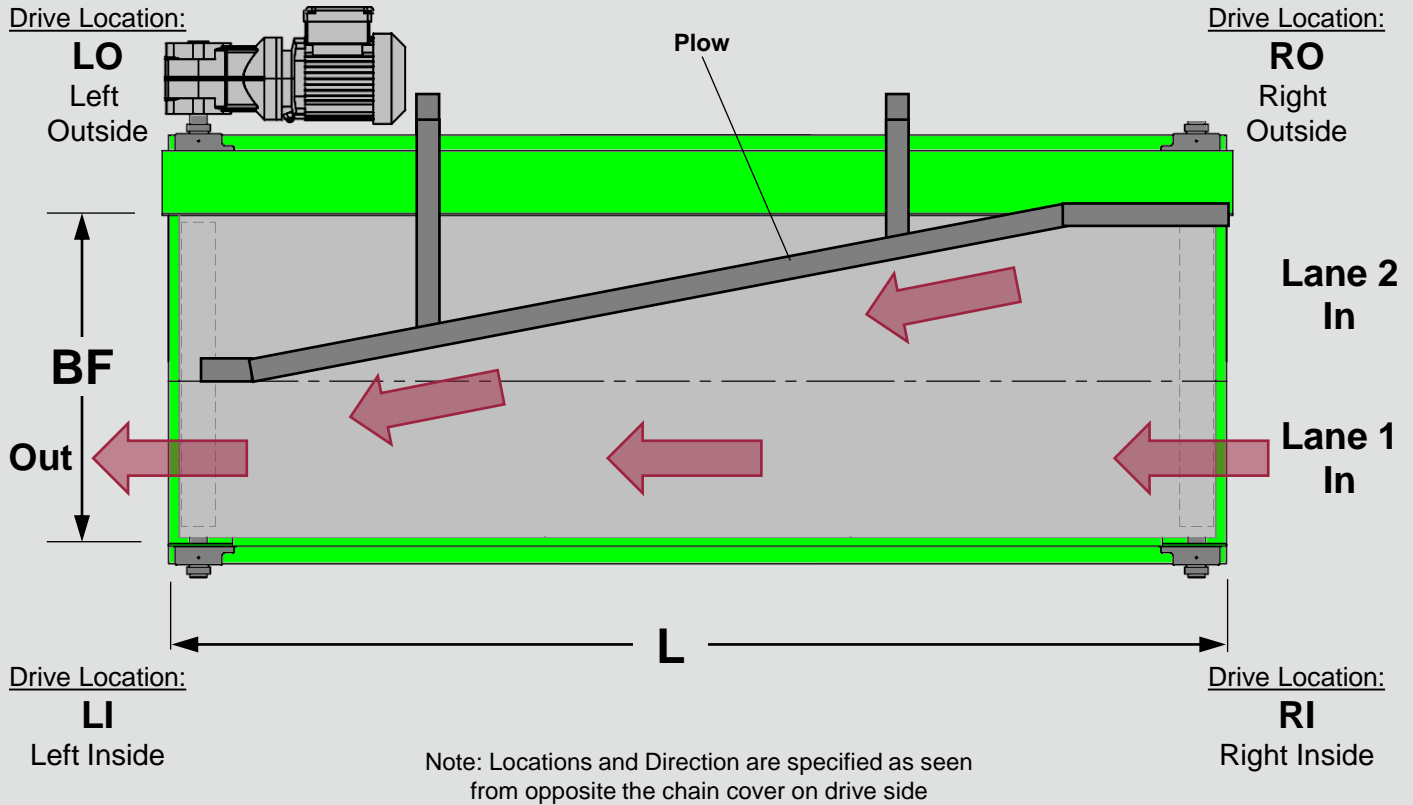
Drives can be shaft-mounted or underslung on either side of the discharge end. Shaft-mounted drives can be arranged horizontally (shown) or vertically, depending on available space.

SLBP2 Drive Pulley Detail

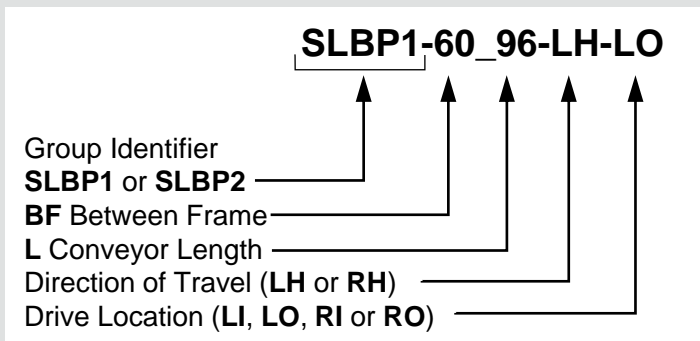


SLBP2 Drive Pulley with Sprocket on both ends

SLBP1-LH-LO Merge with one (1) Plow for Unidirectional Merge Operation



Flow-Turn Model Code



Direction of Travel and Drive Locations are specified as seen from opposite the chain cover on the drive side



SLBP1 Merge Table
(Photo taken during Field Installation)

© FLOW-TURN Inc. 2022, subject to modification