



## The Next Generation of Turns

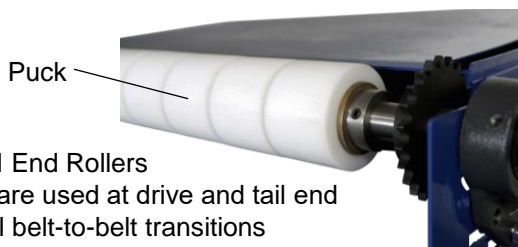
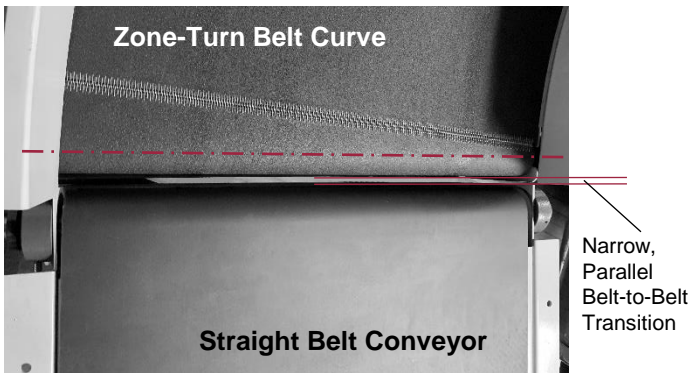
# Zone-Turn 24V Belt Curves

**Zone-Turn** belted curves combine brushless 24VDC drive technology with FLOW-TURN's well-proven Square-Turn curve design with cylindrical end rollers ("Pucks"). Zone-Turn curves can easily be integrated with MDR distribution systems, including zero pressure accumulation (ZPA) or any other application utilizing 24V motors.

- **Powerful 24V Drive Technology**  
Zone-Turn curves are equipped with compact geared drives and advanced networked drive controllers that are a perfect alternative to standard AC drives
- **Optimum Product Handling**  
A fully belted MDR curve works in perfect harmony with other accumulation conveyors, belted or non-belted, and can handle an enormous range of products of varying sizes, avoiding product skewing and overcoming the limitations of roller curves.
- **Application Flexibility**  
Zone-Turns are available in standard widths and zone lengths for common angles (30°, 45°, 60°, and 90°) but can be custom designed for non-standard applications.
- **No-Hassle Conveyor Integration**  
Zone-Turn curves provide narrow, parallel, belt-to-belt transitions to and from adjacent conveyors, just like between two straight conveyors.



**Zone-Turn** Belted Curve with Geared 24 VDC Drive  
Insert: Advanced Networked Drive Controller for Zero Pressure Accumulation (ZPA) applications



Cylindrical End Rollers ("Pucks") are used at drive and tail end for parallel belt-to-belt transitions

Zone-Turn belt curves are available in various widths, zone lengths, curve angles, and design options. Standard puck diameter is 2". Please refer to the **Zone-Turn** Datasheet.

## Zone-Turn Applications

- Package & Parcel Shipping
- Warehousing & Distribution Systems
- Accumulation Lanes and Recirculation Loops
- Food Processing
- Packaging Systems
- Industrial & Manufacturing

© FLOW-TURN Inc. 2023, subject to modification

FT Zone-Turn Rev01



1050 Commerce Avenue, Union, NJ 07083

Phone: (908) 687 – 3225  
Fax: (908) 687 – 1715  
Email: sales@flow-turn.com  
[www.flow-turn.com](http://www.flow-turn.com)

*Custom design is a FLOW-TURN specialty.  
We manufacture to rigid specifications and provide answers to unusual requirements.*



The Next Generation of Turns

# Zone-Turn 24V Belt Curves

## Conveyor Specifications

- Square-Turn Belt Curve Design with Cylindrical End Rollers (“Puck”) with 2” diameter
- Load capacity 35 lbs per linear foot (standard)
- 10 Ga standard frame construction, 5.5” tall
- Safety Guarding per OSHA
- Finger Guards and Safety Covers
- Standard Angles 30°, 45°, 60°, and 90°
- Many BF (Between Frame) dimensions, e.g. 15”, 21”, 27”, and 33”
- Standard Zone Lengths 20”, 24”, 30”, and 36”
- Durable powder coat finish (standard RAL 7035 Light Grey); other RAL colors and stainless steel design available
- RAV2B100 black, laced (standard) - oil, heat, grease resistant; other belt qualities available upon request

## Drive System Specifications

- 24VDC brushless geared motors with advanced networked controller and timing belt pulley
- Number 50 Flex Chain with Attachment links
- Hardened Steel Sprockets
- 1” Diameter for Head and Tail Shafts
- Robust Three-Bolt Flange Bearings
- Belt Speeds 40-200 FPM @ CL (65 FPM Standard)

## Accessories

- Floor Supports, adjustable +/- 2”
- Ceiling Hangers
- Fixed Side Guards (12 Ga) with rolled top flange for rigidity; standard heights 3.5”, 4.5”, 6”, 8”, 10” and 12”; other heights and options available upon request
- Underguarding; e.g. black plastic mesh
- Transfer Rolls



## Options

- Side Guards with Photo Sensor Holes and Mounts (see example in photo on left)
- Mounting Brackets on Outside or Inside Frame for Controller Cards
- Food-Grade Belt Qualities
- Seamless Belting
- Curve Frame with removable inside frame panel (required for seamless belting option)

© FLOW-TURN Inc. 2023, subject to modification



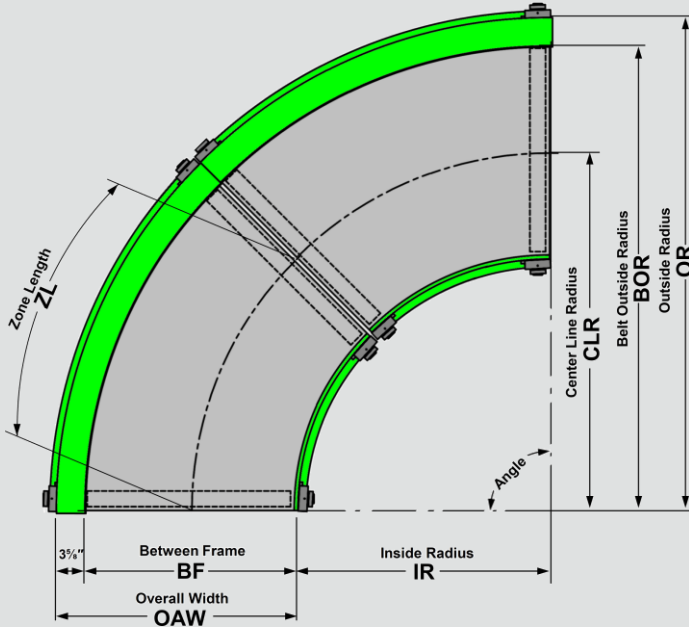
1050 Commerce Avenue, Union, NJ 07083

Phone: (908) 687 – 3225  
Fax: (908) 687 – 1715  
Email: sales@flow-turn.com  
[www.flow-turn.com](http://www.flow-turn.com)

*Custom design is a FLOW-TURN specialty.  
We manufacture to rigid specifications and provide answers to unusual requirements.*

FT Zone-Turn Rev01

## Zone-Turn Model Code



**ZT2-32\_27-90-P2**

Group Identifier  
("ZT" and number of Zones)

IR Inside Radius

BF Between Frame

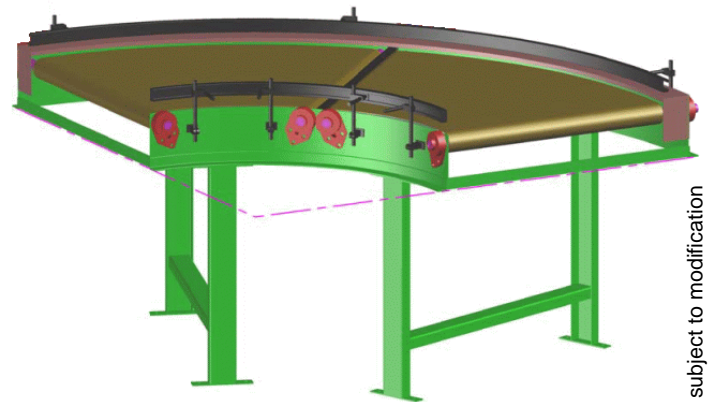
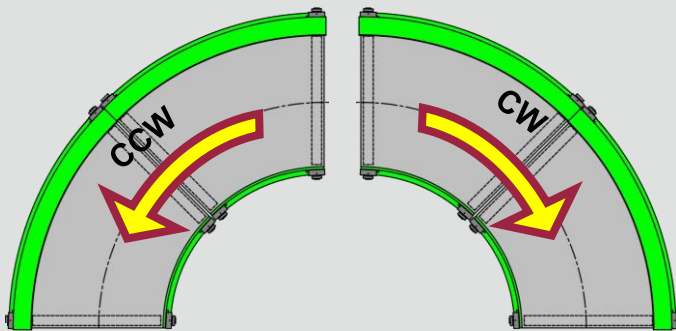
Angle (Overall Curve Angle)

"P" and End Roll ("Puck") Dia.

- $OAW = BF + 3.625''$
- $CLR = IR + (BF / 2)$
- $BOR = IR + BF$
- $OR = IR + BF + 3.625''$

## Direction of Flow

**CCW** Counter Clockwise (LH Left-Hand),  
or  
**CW** Clockwise (RH Right-Hand)



Zone-Turn belt curves are available as **Double Zone-Turn** belt curves ("ZT2") with 2 x 30-degree and 2 x 45-degree zones (shown above) and as **Triple Zone-Turn** belt curves ("ZT3") with 3 x 30-degree zones on one frame. Custom angles are available upon request.

© FLOW-TURN Inc. 2023, subject to modification



IR Inside Radius	BF Between Frame	OAW Overall Width	Angle	Model No.	ZL Zone Length	CLR Centerline Radius	F Puck Dia.
32"	15"	18.625"	30 deg	ZT-32_15-30	20 (20.7")	39.5"	2"
26"	21"	24.625"		ZT-26_21-30	20 (19.1")	36.5"	2"
32"	27"	30.625"		ZT-32_27-30	24 (23.8")	45.5"	2"
30"	33"	36.625"		ZT-30_33-30	24 (24.3")	46.5"	2"
32"	15"	18.625"	45 deg	ZT-32_15-45	30 (31.0")	39.5"	2"
26"	21"	24.625"		ZT-26_21-45	30 (28.7")	36.5"	2"
32"	27"	30.625"		ZT-32_27-45	36 (35.7")	45.5"	2"
30"	33"	36.625"		ZT-30_33-45	36 (36.5")	46.5"	2"
32"	15"	18.625"	60 deg (2 Zones)	ZT2-32_15-60	20 (20.7")	39.5"	2"
26"	21"	24.625"		ZT2-26_21-60	20 (19.1")	36.5"	2"
32"	27"	30.625"		ZT2-32_27-60	24 (23.8")	45.5"	2"
30"	33"	36.625"		ZT2-30_33-60	24 (24.3")	46.5"	2"
32"	15"	18.625"	90 deg (3 Zones)	ZT3-32_15-90	20 (20.7")	39.5"	2"
26"	21"	24.625"		ZT3-26_21-90	20 (19.1")	36.5"	2"
32"	27"	30.625"		ZT3-32_27-90	24 (23.8")	45.5"	2"
30"	33"	36.625"		ZT3-30_33-90	24 (24.3")	46.5"	2"
32"	15"	18.625"	90 deg (2 Zones)	ZT2-32_15-90	30 (31.0")	39.5"	2"
26"	21"	24.625"		ZT2-26_21-90	30 (28.7")	36.5"	2"
32"	27"	30.625"		ZT2-32_27-90	36 (35.7")	45.5"	2"
30"	33"	36.625"		ZT2-30_33-90	36 (36.5")	46.5"	2"

Other sizes and custom angles are available, please consult with factory



S-configuration with two 45-deg. **Zone-Turns**



Drive Configuration  
(Chain Cover and  
Timing Belt Cover  
removed to show  
detail)

© FLOW-TURN Inc. 2023, subject to modification